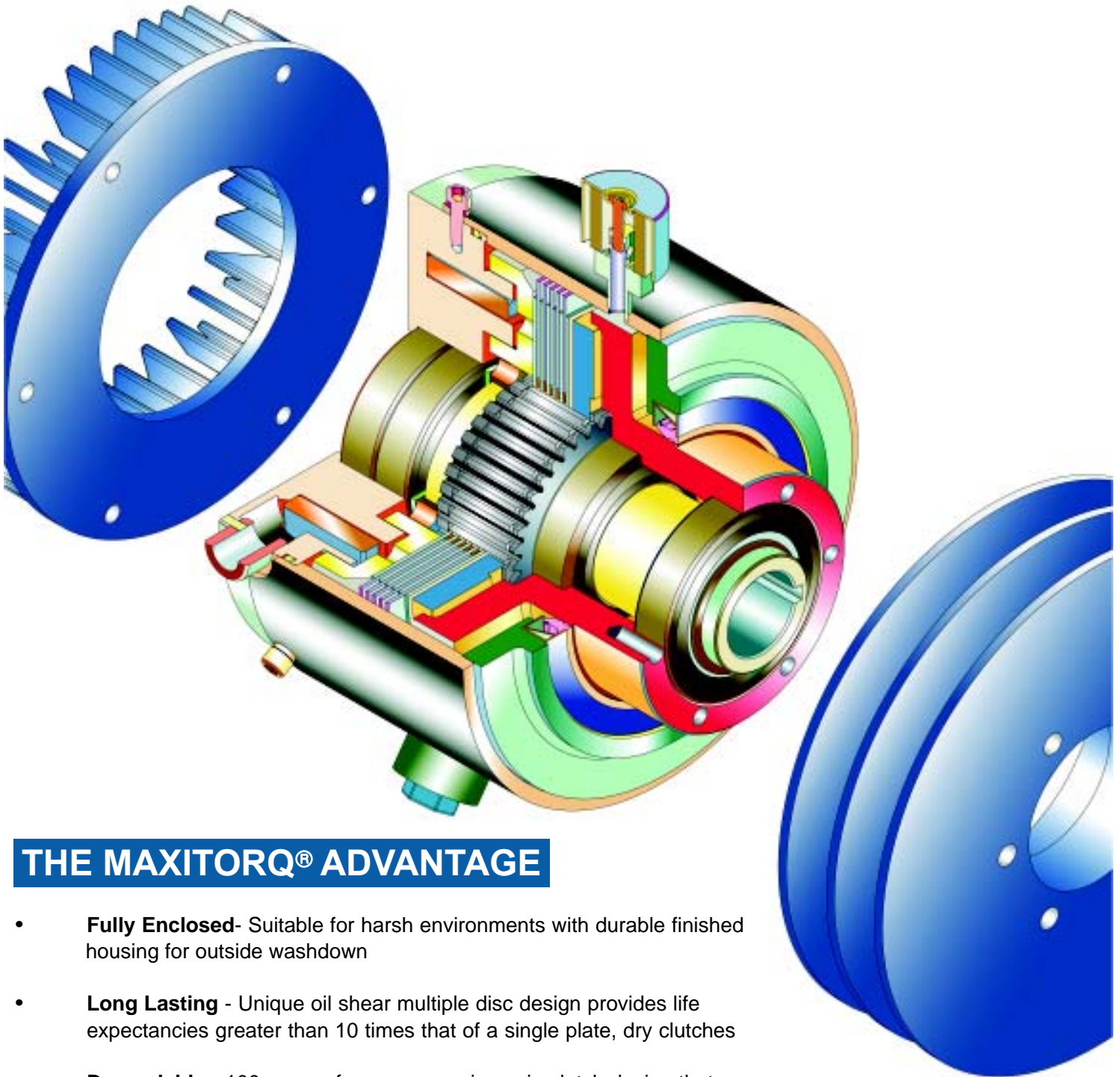


Pulley/Sheave Clutch

Shaft Mounted, Fully Enclosed, Electrically Actuated



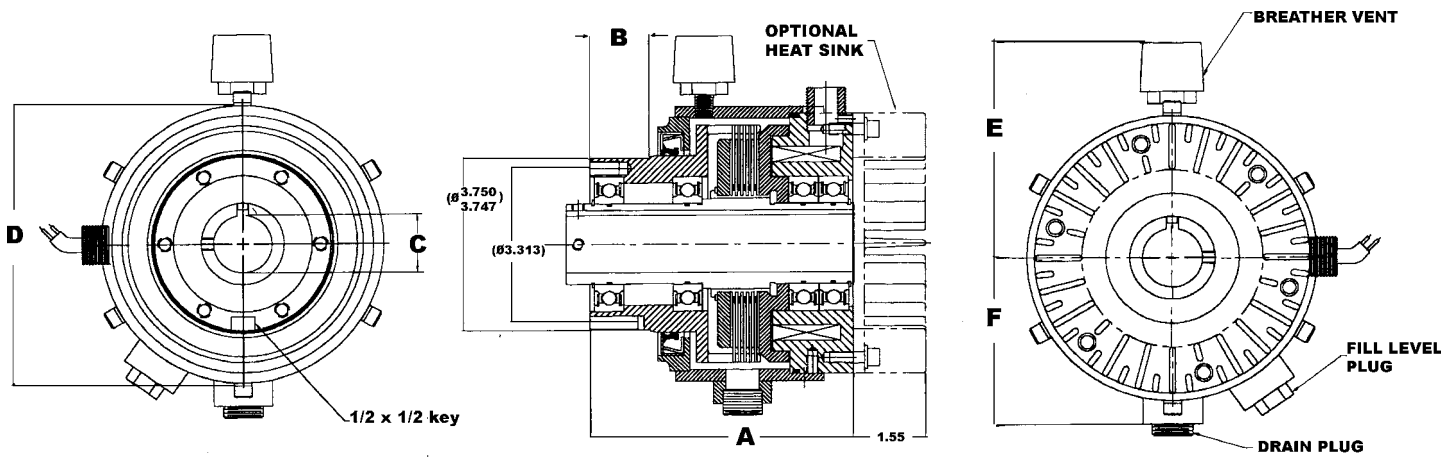
THE MAXITORQ® ADVANTAGE

- **Fully Enclosed**- Suitable for harsh environments with durable finished housing for outside washdown
- **Long Lasting** - Unique oil shear multiple disc design provides life expectancies greater than 10 times that of a single plate, dry clutches
- **Dependable** - 100 years of proven experience in clutch design that incorporates long wearing self adjusting multiple disc units that “really work” under tough conditions.
- **Ease of Installation** - Mounts in minutes on a motor, pump or jack shaft



THE CARLYLE JOHNSON MACHINE COMPANY, L.L.C.

www.cjmco.com



MAXITORQ® Pulley/Sheave clutches are available in several sizes with standard operating voltages from 6 to 240 VDC. The most typical applications are PTO clutch assemblies that operate at 12 VDC. The motion control experts at Carlyle Johnson are always available to help recommend the correct model, or even custom design units for special applications.

Dimensions/Ratings

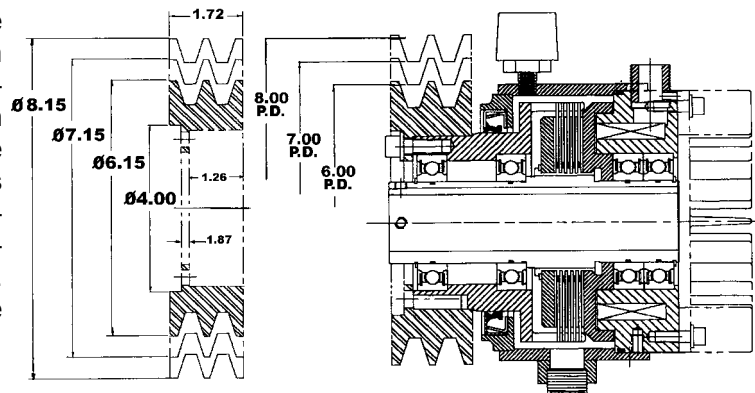
| CLUTCH NO. | A | B | C BORE* | D | E | F | KEYWAY |
|------------|-------|------|----------------|-----|------|------|-----------|
| EPC - 0475 | 6.125 | 1.29 | 1 1/4 OR 1 3/8 | 6 | 4.55 | 3.5 | 1/4 X 1/8 |
| EPC - 0625 | 6.75 | 1.29 | 1 1/4 OR 1 3/8 | 7.5 | 5.48 | 4.25 | 1/4 X 1/8 |

Operating Characteristics

| CLUTCH NO. | TORQUE (LB.FT) DYN. | STATIC | VOLTS D.C.* | CURRENT AMPS | POWER WATTS | SPEED** RPM |
|------------|---------------------|--------|-------------|--------------|-------------|-------------|
| EPC - 0475 | 75 | 150 | 12 OR 24 | 4.2 / 2.1 | 50 | 1800 |
| EPC - 0625 | 150 | 300 | 12 OR 24 | 4.2 / 2.1 | 50 | 1800 |

*Available in other sizes. ** Heat sinks are required for applications operating at speeds greater than 1800rpm and/or high cycle rates.

MAXITORQ® Pulley/Sheave clutches incorporate a standard electromagnetic multiple disc design but utilizes an oil shear principle to enhance service life. This clutch is fully sealed and operates in a bath of "A" type automatic transmission fluid. The oil is squeezed from between the friction discs as the clutch is engaged. The shearing of the oil transmits the engagement torque. This significantly reduces the heat along the surface of the friction disc. The heated oil is then forced to the outside of the housing for greater heat dissipation.



| SHEVE NO. | O.D. | BORE | P.D. | BELT TYPE | KEYWAY |
|------------|------|---------------|------|-----------|-----------|
| PSA - 0600 | 6.15 | 3.751 / 3.753 | 6 | "B" | 1/2 X 1/4 |
| PSA - 0700 | 7.15 | 3.751 / 3.753 | 7 | "B" | 1/2 X 1/4 |
| PSA - 0800 | 8.15 | 3.51 / 3.753 | 8 | "B" | 1/2 X 1/4 |



THE CARLYLE JOHNSON MACHINE COMPANY, L.L.C.

291 Boston Turnpike - P O Box 9546 - Bolton, Connecticut 06043-9546
 (860) 643-1531 • FAX (860) 646-2645 • TOLL FREE (888) 629-4867 • www.cjmco.com